



WWW.Q-T-S.COM

CONVEYORIZED TARGET™ PEPPERONI/MEAT/CHEESE SLICER MODEL # TP-2

Utilizes one (1) target pepperoni head. USDA compliant construction. Single lane continuous motion conveyor uses state of the art servo motor drive technology to precisely position your product under the target depositor. 14 in. wide, by 14 in. long product slicing area, consistent slice thickness and accurate pepperoni placement. Conveyor output section reliably transfers products to your down-line equipment.

SPECIFICATIONS

TOPPINGS:

Pepperoni
Other Stick Type Meats and Cheeses

PRODUCT:

Rigid or Supported Products

PRODUCTION RATES:

SINGLE MACHINE RATES UP TO:

- 6" @ 100 Pizzas Per Minute, 6,000+ Per Hour
- 8" @ 75 Pizzas Per Minute, 4,500 Per Hour
- 10" @ 60 Pizzas Per Minute, 3,600 Per Hour
- 12" @ 50 Pizzas Per Minute, 3,000 Per Hour
- 14" @ 42 Pizzas Per Minute, 2,570 Per Hour
- 16" @ 37 Pizzas Per Minute, 2,250 Per Hour

TANDEM MACHINE RATES UP TO:

- 6" @ 110+ Pizzas Per Minute, 6,600+ Per Hour
- 8" @ 110+ Pizzas Per Minute, 6,600+ Per Hour
- 10" @ 96 Pizzas Per Minute, 5,760 Per Hour
- 12" @ 80 Pizzas Per Minute, 4,800 Per Hour
- 14" @ 68 Pizzas Per Minute, 4,080 Per Hour
- 16" @ 60 Pizzas Per Minute, 3,600 Per Hour

PORTION:

.04 - .14 Thick Slices

PATTERN CLUSTERS:

Standard Pattern Clusters Up to 16" Diameter, 37 Slices
Custom Pattern Clusters Available
Rod, Tube, or Polycarbonate Clusters Available

DRIVE SYSTEM:

Conveyor Uses Precision Drive Motors
Slicing Head Uses Precision Servo Drive Motors

ELECTRICAL:

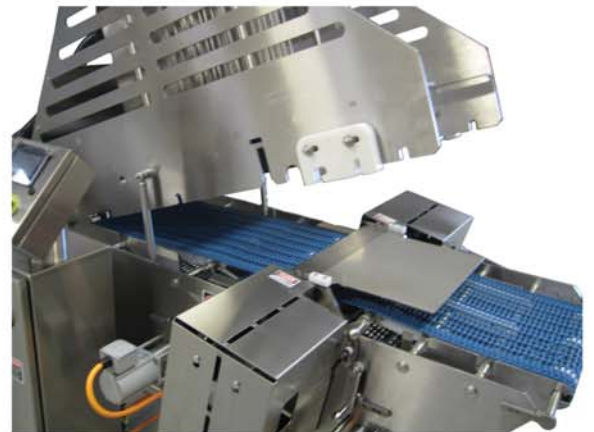
240 Volts, 3 Phase 30 Amp Circuit. 50-60 Hz.
Other Voltages Optional
Stainless Steel Control Enclosure

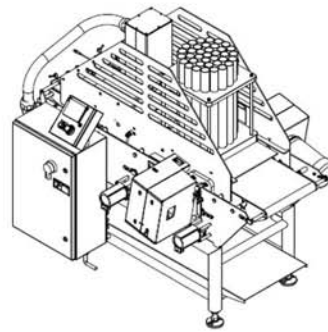
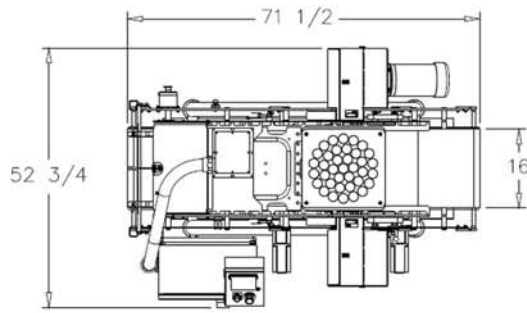
CONVEYOR:

Stainless Steel Construction
Continuous Smooth Welds
Washdown Compatible

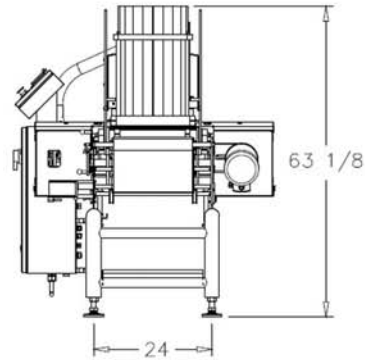
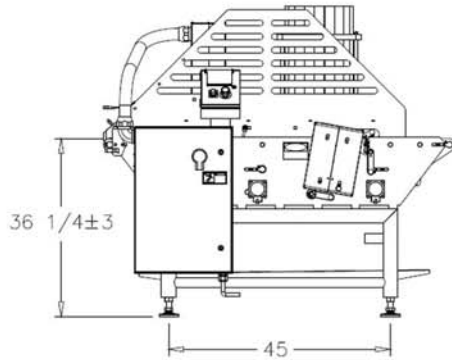
OPTIONS:

Tandem Slicing
Start/Stop Interconnection
Water Blade Lubrication
Dual Alignment System





Product Direction →



Carriage Safety Lock



Slice Thickness Adjustment And Carriage Release



Pepperoni Cluster Cart (Optional)



Gas Strut Supported Carriage



Movable Lane Guides and Protected Photo Eye



Easy To Remove Cluster Lock

QUANTUM MANUFACTURES HIGH SPEED AUTOMATED TOPPING EQUIPMENT. WE OFFER STANDARD PRODUCTION SYSTEMS AS WELL AS CUSTOM ENGINEERED SOLUTIONS.



WWW.Q-T-S.COM
CONTACT US: INFO@Q-T-S.COM
+1 815.464.1540