



WWW.Q-T-S.COM

# WATERFALL TOPPING APPLICATOR AND RECLAIM

## MODEL # TC-5

The TC-5's robust design incorporates over 25 years of experience by including features previously found only on the most expensive machines as standard equipment. Cantilevered design, crank handle rake height adjustment, and color touch screen controls featuring diagnostics and 20 recipe slots make it the most innovative, easiest machine to operate and clean in its class.

### SPECIFICATIONS

#### PRODUCTION RATE:

Up To 80 Feet of Product Per Minute

#### AVAILABLE WIDTHS:

20" Usable Product Belt

24" Usable Product Belt

#### DRIVE SYSTEM:

Conveyors and Rake Utilize Precision

Electric Drive Motors

#### ELECTRICAL:

240 Volts 1 Phase 20 Amps 50/60 Hz.

Other Voltages Optional

#### CONVEYORS:

Stainless Steel Construction

Polyurethane Belting

#### OPERATOR INTERFACE:

Large Color Touch Screen

#### FEATURES:

Wash-Down Ready

No Tool Disassembly For Cleaning

Heavy Duty Stainless Steel Bearings

Hand Crank Rake Height Adjustment with Scale

UL 508A Controls

Locking Swivel Casters with No Exposed Threads

Cantilevered Conveyors Allow No Tool Belt Removal and Cleaning

Stack Light Indicates Machine Status

Gull Wing Safety Guards with Interlocks

Reclaim Conveyor Catch Trays

Hopper Level Sensor

Solid Round Bar Construction with Minimal Flat Surfaces

Simple Flinger Height and Speed Adjustment

20 User Product Codes / Recipes

Blade Style UHMW Belt Scrapers

Flip Style Conveyor End for Easy Cleaning and Belt Removal

Removable Bottom Conveyor Allows for Placement Over an Existing Line

Swing Away Control Box Allows Easy Access to Motors and Bearings

#### OPTIONS:

Start/Stop Interconnectivity

Reclaim System

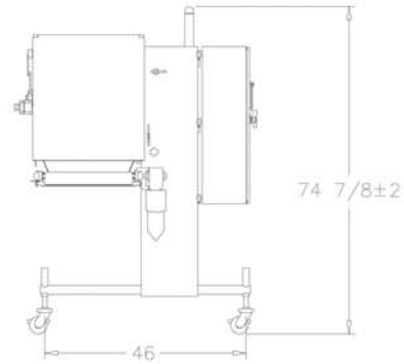
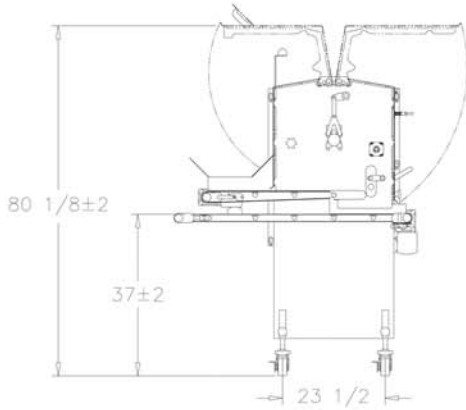
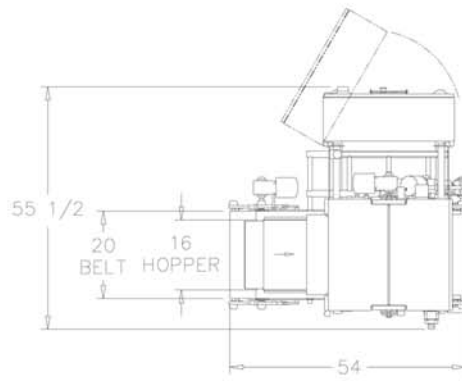
Hopper Feed Conveyor

Servo Top Belt for Targeted Waterfall Application

Product Targeting Funnels



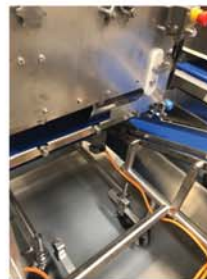
\* Shown with Optional TR-5 Reclaim System



Hand Crank Rake Height Adjustment



Plastic Blade Scrapers



No Tool Required Belt Removal



7" Color Touch Screen and Stack Light



Fliinger Height Adjustment



No Exposed Thread Locking Casters



Drop Down Conveyor Ends



Docking Pin Placement

**QUANTUM MANUFACTURES HIGH SPEED AUTOMATED TOPPING EQUIPMENT. WE OFFER STANDARD PRODUCTION SYSTEMS AS WELL AS CUSTOM ENGINEERED SOLUTIONS.**



**WWW.Q-T-S.COM**  
**CONTACT US: INFO@Q-T-S.COM**  
**+1 815.464.1540**