



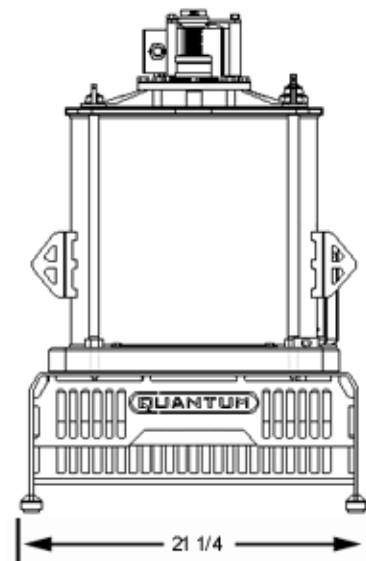
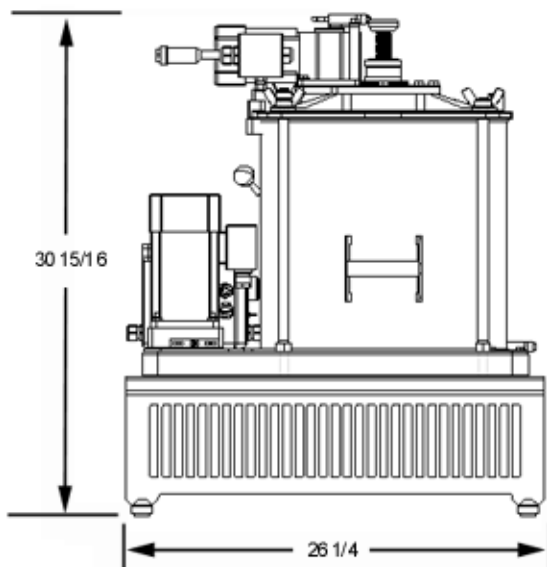
FRESH SAUSAGE DEPOSITOR

QTMD1000 SERIES

Fresh Sausage Applicator, capable of portioning and evenly applying fresh meat toppings to your products. Featuring sanitary construction and an insulated tank, the QTMD1000 automates sausage depositing while retaining a hand made look. Tabletop design can also be mounted to its own cart. Simple, safe operation, no tool disassembly, and easy cleanup make the QTMD1000 a welcome addition to any pizza kitchen.

FEATURES:

- Up to 6 pizzas per minute
- 60 pieces per deposit
- 2 to 20 ounce portion
- Stainless Steel and Nonporous Billet Aluminum Construction
- Insulated Hopper (50 lb. capacity)
- Table Top Unit (Cart Optional)
- Safety Interlocks
- Sanitary Design
- No Tool Disassembly
- Easy Cleanup
- 120 Volt, Single Phase, 10 Amps



Specifications subject to change without notice. Information contained in this document for reference use only.

QUANTUM TECHNICAL SERVICES, INC.

9524 W GULFSTREAM ROAD FRANKFORT IL 60423 PHONE (888) 464-1540 FAX (815) 464-1541

www.q-t-s.com