



WWW.Q-T-S.COM

# CONVEYORIZED TARGET™ SAUCE APPLICATOR MODEL # QTMC5

USDA compliant, patented sauce applicator, capable of evenly applying sauce to your product while maintaining a sauce free border. Our CONVEYORIZED TARGET™ sauce applicator is a simple easy to use system. Your pizzas are precisely located under the applying head by means of our conveyor. When in position, the sauce is automatically applied.

## SPECIFICATIONS

### PRODUCT:

Rigid and Supported Products  
Square, Rectangular, and Round Up To 18"

### SAUCE:

Flowable Product with All Particulate Able to Pass Through a 3/32" (2mm) Diameter Hole Screen.  
Larger Particulates Possible on Custom Designed Patterns

### PRODUCTION RATES (Up To):

6" @ 110+ Pizzas Per Minute, 6,600+ Per Hour  
8" @ 110+ Pizzas Per Minute, 6,600+ Per Hour  
10" @ 96 Pizzas Per Minute, 5,760 Per Hour  
12" @ 80 Pizzas Per Minute, 4,800 Per Hour  
14" @ 68 Pizzas Per Minute, 4,080 Per Hour  
16" @ 60 Pizzas Per Minute, 3,600 Per Hour

### PORTION:

0.5 oz. (14g) - 10 oz. (284g)  
+/- 0.2 oz. (5g)

### HOPPER:

12 Gallon Hopper (45.4 liters) (approx.)

### STANDARD PATTERNS:

0.5 in. (12.7mm) Increments  
Custom Patterns Also Available

### CONTROLS:

7" Color Touch Screen

### DRIVE SYSTEM:

Conveyor Utilizes a Precision Electric Drive Motor  
Washdown Capable

### CANTILEVERED CONVEYOR:

Polyurethane Flat Belt  
1 1/2" Pulley Diameter  
Removable Conveyor

### Frame:

Stainless Steel Frame  
Locking Swivel Casters with No Exposed Threads

### ELECTRICAL:

220 Volts, 1 Phase, 5 Amp Circuit, 60 Hz  
Stainless Steel Control Enclosure

### PNEUMATIC:

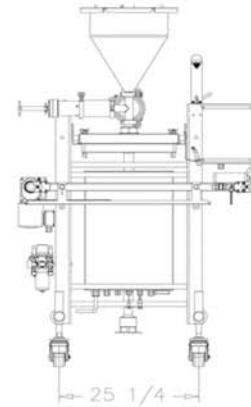
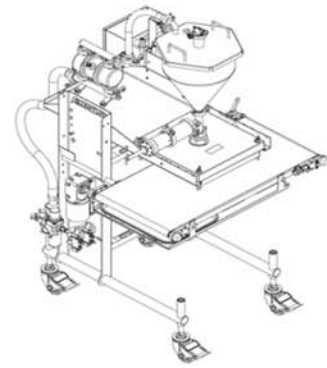
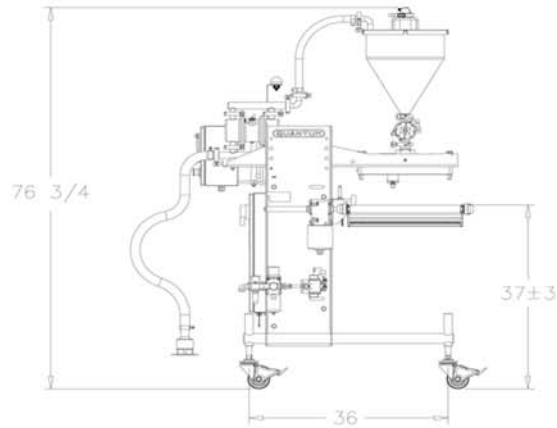
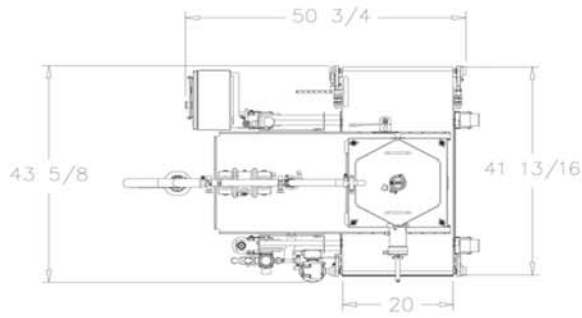
80 PSIG @ 6 SCFM  
Clean Dry Air

### OPTIONS:

Hopper Level Pump and Level Control  
Dual Lanes for Smaller Products  
Start/Stop Interconnectivity  
Stainless Steel Conical Hopper



\* QTMC5 Shown with Optional Hopper Level Control System



Hopper Level Sensor (Optional)



No Tool Required Belt Removal



7" Color Panel View with Color Stack Light



Floating, Adjustable Lane Guide



Transfer Pump (Optional)



No Tools Required Quick Change Patterns



Heavy Duty Locking Casters with No Exposed Threads



Removable Cantilevered Conveyor

**QUANTUM MANUFACTURES HIGH SPEED AUTOMATED TOPPING EQUIPMENT. WE OFFER STANDARD PRODUCTION SYSTEMS AS WELL AS CUSTOM ENGINEERED SOLUTIONS.**



**WWW.Q-T-S.COM**  
**CONTACT US: INFO@Q-T-S.COM**  
**+1 815.464.1540**